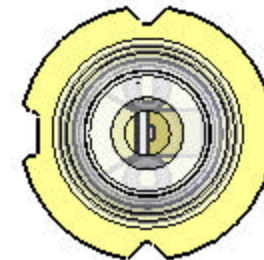
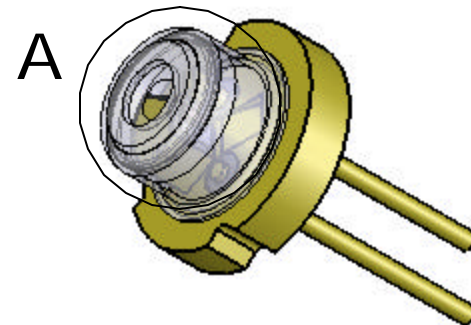
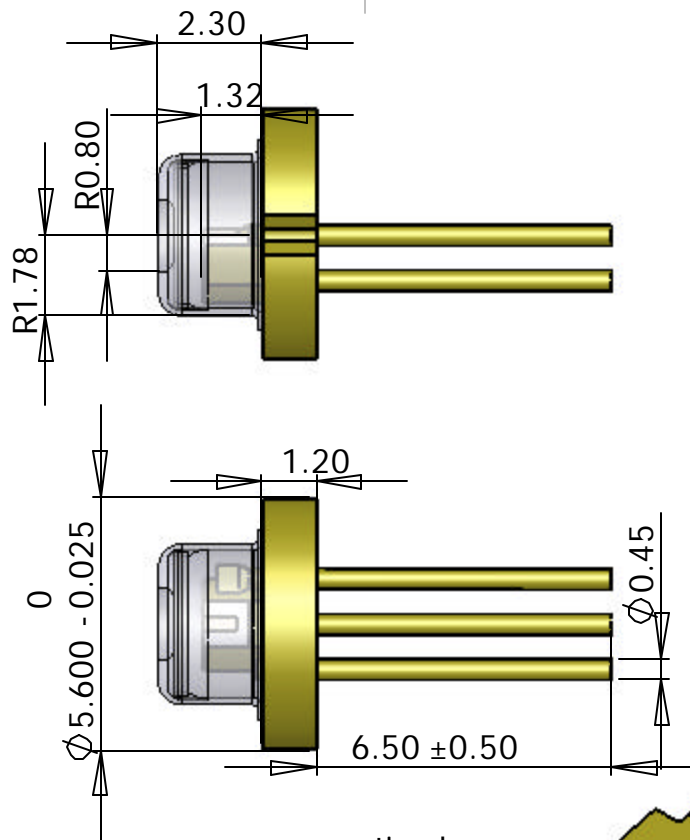
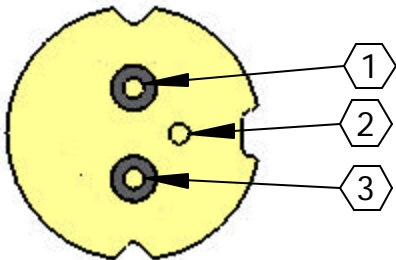


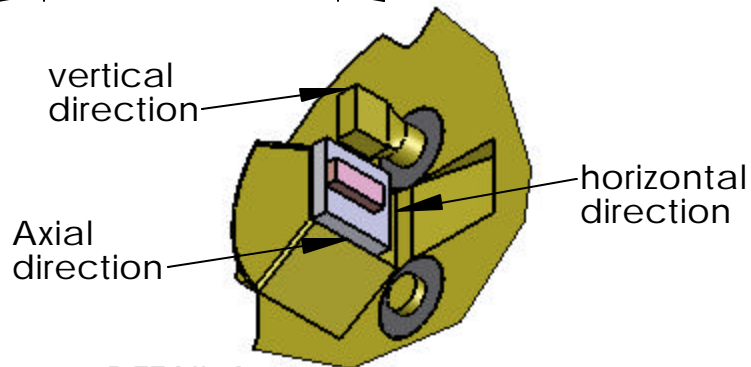
45 Bartlett Street
 Marlborough, MA 01752
 (P)508-481-9200
 (F)508-481-9261
 www.axcelphotonics.com

T11_W0S2_00c TO-18

Pinout for P-down:
 1 LD Cathode(-)
 2 LD Anode(+)
 2 PD Cathode (optional)
 3 PD Anod (optional)



NOTES:
 1 UNIT: mm
 2 CHIP REFERENCE DIMENSION:
 750um x 300um x 150 um



DETAIL A
 SCALE 12 : 1
 for clarity reason
 cap was hidden

THIS DRAWING IS THE PROPERTY OF AXCEL PHOTONICS. IT IS NOT TO BE COPIED,
 USED OR REPRODUCED WITHOUT PRIOR WRITTEN APPROVAL.

