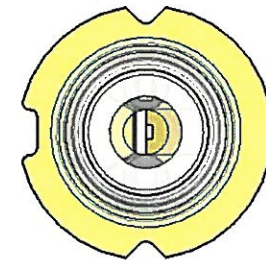
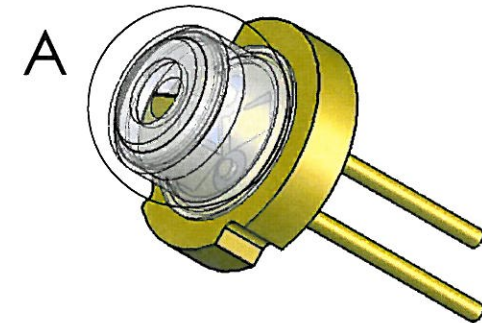
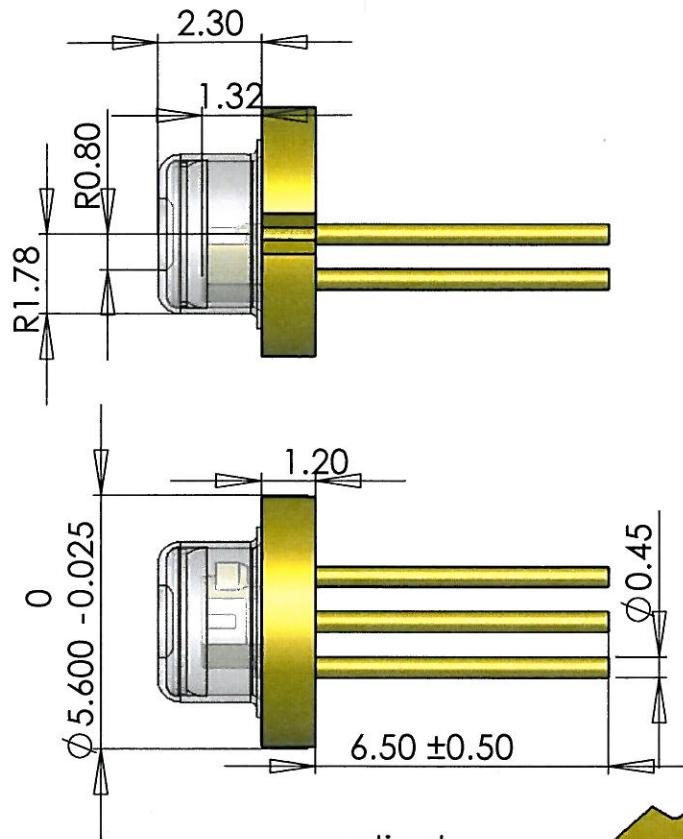
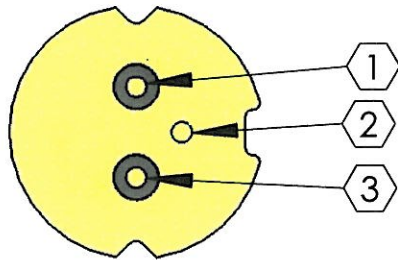


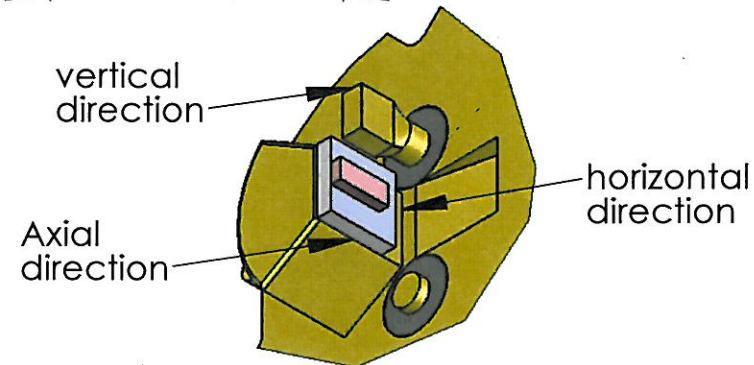
45 Bartlett Street  
 Marlborough, MA 01752  
 (P)508-481-9200  
 (F)508-481-9261  
 www.axcelphotonics.com

T11\_W0S2\_00c TO-18

Pinout for P-down:  
 1 LD Anode(+)  
 2 LD Cathode(-)  
 2 PD Anod (optional)  
 3 PD Cathode (optional)



NOTES:  
 1 UNIT: mm  
 2 CHIP REFERENCE DIMENSION:  
 750um x 300um x 150 um



DETAIL A  
 SCALE 12 : 1

for clarity reason  
 cap was hidden

**THIS DRAWING IS THE PROPERTY OF AXCEL PHOTONICS. IT IS NOT TO BE COPIED,  
 USED OR REPRODUCED WITHOUT PRIOR WRITTEN APPROVAL.**

**axcel**  
 photonics